

TOGGLE-LOCK PLUS™ CLAMPS

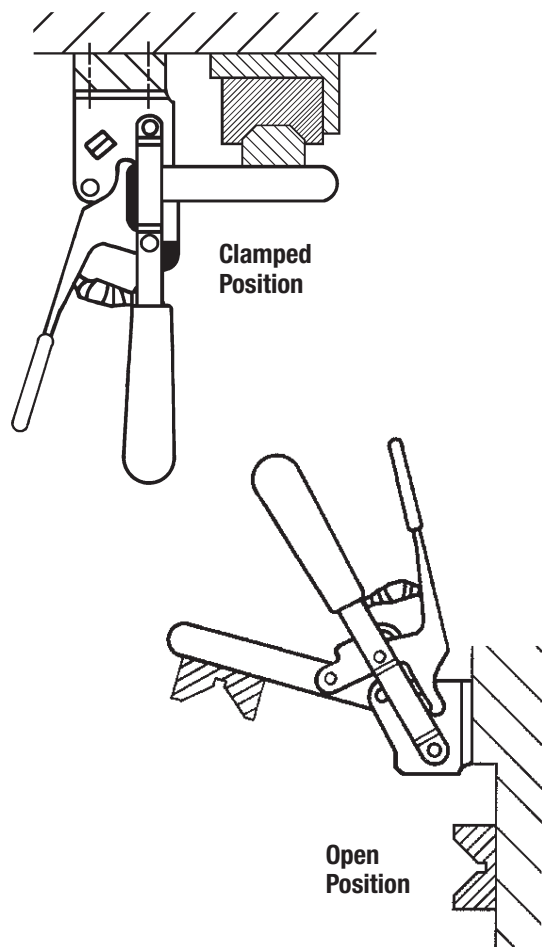
Toggle-Lock Plus™ Clamps – We have taken several of our more popular toggle clamps and have added a locking release lever for improved safety. The locking release lever helps ensure that the over-center locking condition is maintained. In order to open each clamp, the locking lever must first be released.

The addition of the Toggle-Lock Plus™ product line expands the range of applications where DE-STA-CO clamps can be used. If a clamp application warrants concerns over accidental clamp opening, severe stresses or vibrations on the clamps, or overhead installations, then the Toggle-Lock Plus™ is the right clamp for the job.

STATUS OF HANDLE AND BAR

L = Locked 0 = Opened 1/2 = Intermediate Position


Safety Catch – Handle or clamping arm on our Toggle-Lock Plus™ Clamps lock in the open or closed position.




Clamp Series 207-SR, 207-UR, 210-SR, 210-UR



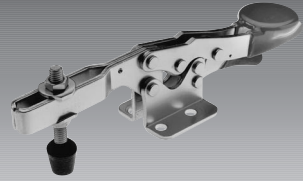
NOTE: Engineering dimensions and specifications in this catalog are subject to change without notice.



Model No.	Holding Capacity	Bar Opens	Page No.
207-SR	500 lbs.	100°	8.4
207-UR	375 lbs.	100°	8.4
210-SR	750 lbs.	103°	8.4
210-UR	600 lbs.	103°	8.4




Model No.	Holding Capacity	Handle Moves	Bar Opens	Page No.
225-UR	500 lbs.	70°	90°	8.5

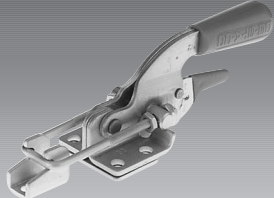


Model No.	Holding Capacity	Handle Moves	Bar Opens	Page No.
235-UR	750 lbs.	55°	90°	8.5


NEW



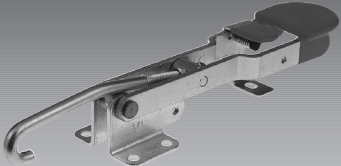
Model No.	Holding Capacity	Handle Moves	Bar Opens	Page No.
305-UR	150 lbs.	175°	92°	8.6
307-UR	350 lbs.	175°	92°	8.6
309-UR	750 lbs.	160°	88°	8.6




Model No.	Holding Capacity	Drawing Movement	Hook Adjustment	Page No.
331-R	700 lbs.	1.75"	.31"	8.7
341-R	2000 lbs.	2.50"	.56"	8.7



Model No.	Holding Capacity	Drawing Movement	Hook Adjustment	Page No.
351-R	375 lbs.	4.00"	.34"	8.8



Model No.	Holding Capacity	Drawing Movement	Hook Adjustment	Page No.
371-R	750 lbs.	5.38"	.81"	8.8

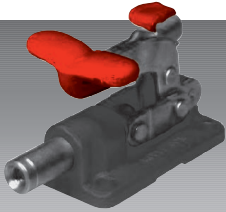


Model No.	Holding Capacity	Drawing Movement	Hook Adjustment	Page No.
375-R	4000 lbs.	3.50"	.63"	8.9



Model No.	Holding Capacity	Drawing Movement	Hook Adjustment	Page No.
385-R	7500 lbs.	1.13"	1.00"	8.9

NEW




Model No.	Holding Capacity	Plunger Travel	Page No.
6015-M-R	350 lbs.	.70"	8.10

NEW



Model No.	Holding Capacity	Plunger Travel	Page No.
603-R	600 lbs.	1.25"	8.11



Model No.	Holding Capacity	Plunger Travel	Page No.
630-R	2500 lbs.	2.00"	8.12

TOGGLE-LOCK PLUS™ CLAMPS



DE-STA-CO
Industrial Products Group

Model 207-UR is used to hold a part during this robotic welding operation.



Toggle-Lock Plus Model 210-UR clamps are used to secure a fiberglass boat to a fixture, as workers trim excess material off freshly molded components.



TOGGLE-LOCK PLUS™ CLAMPS

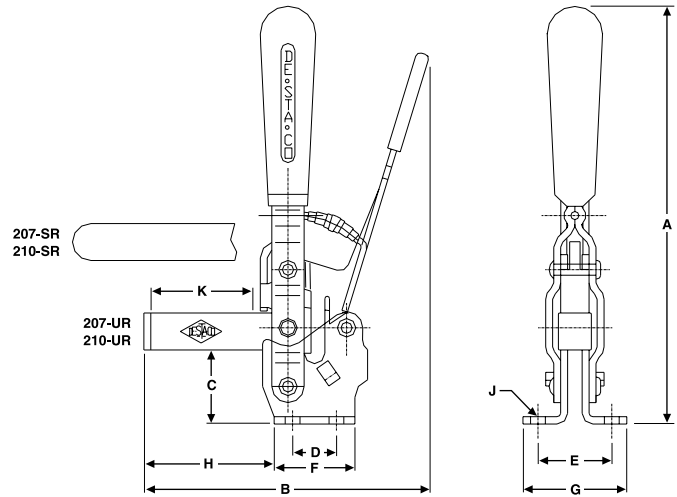


MODELS 207-SR, 207-UR, 210-SR, 210-UR

These clamps are unique in that they lock with the aid of the release lever in both the clamped and unclamped position. These items offer several safety considerations:

- Ergonomic Handle Grips
- Safety Link
- Positive Locking Release Lever

Bolt retainer supplied with solid bar Models 207-SR (207105) and 210-SR (210114), and flanged washers supplied with "U" bar Models 207-UR (507107) and 210-UR (235106). Spindle assemblies are not included. See pages 12.1-12.5 for accessories.



52108
Model 210-UR
"U" Bar
Flanged Base



52071
Model 207-SR
Solid Bar
Flanged Base



52078
Model 207-UR
"U" Bar
Flanged Base



52104
Model 210-SR
Solid Bar
Flanged Base



Model No.	EDP No.	Holding Capacity	Weight	Bar Opens	Dimensions									
					A	B	C	D	E	F	G	H	J	K
207-SR	52071	500 lbs.	1.00 lb.	100°	7.13	4.50	1.25	.75	1.28	1.38	1.80	2.22	.25	-
207-UR	52078	375 lbs.	1.00 lb.	100°	7.13	4.50	1.25	.75	1.28	1.38	1.80	2.22	.25	1.30
210-SR	52104	750 lbs.	1.60 lbs.	103°	8.00	6.61	1.68	1.25	1.75	1.89	2.50	3.56	.33	-
210-UR	52108	600 lbs.	1.60 lbs.	103°	8.00	6.68	1.68	1.25	1.75	1.89	2.50	3.66	.33	2.41

TOGGLE-LOCK PLUS™ CLAMPS

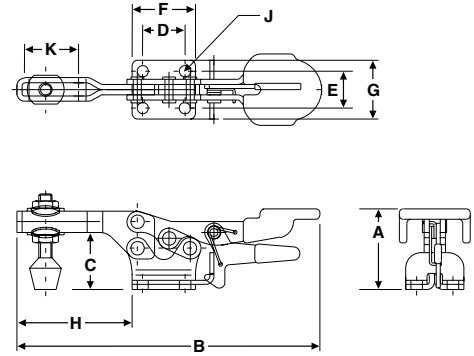


MODEL 225-UR

Features a locking release lever which locks in the clamped position only. A large handle pad with red vinyl dipping has been added for greater operator comfort. Supplied with 225208 spindle assembly and (2) 507107 washers.



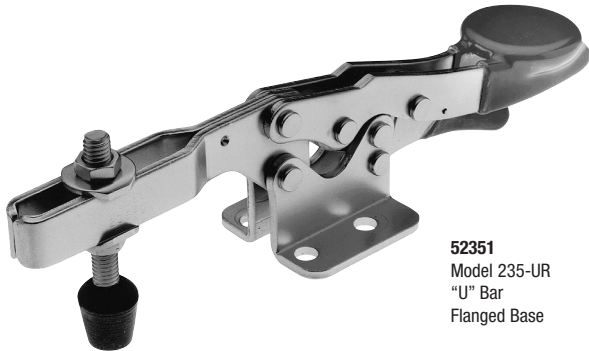
52251
Model 225-UR
"U" Bar
Flanged Base



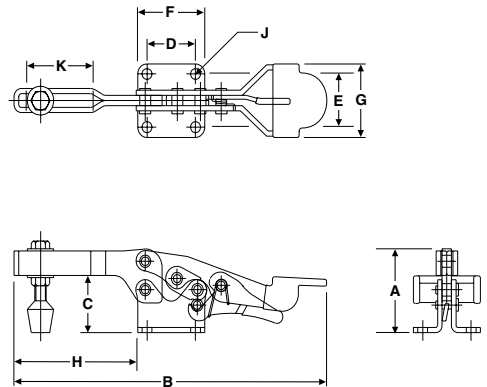
Model No.	EDP No.	Holding Capacity	Weight	Handle Moves	Bar Opens	Dimensions									
						A	B	C	D	E	F	G	H	J	K
225-UR	52251	500 lbs.	.69 lbs.	70°	90°	1.84	7.25	1.34	1.00	.88	1.50	1.38	2.51	.27	1.38

MODEL 235-UR

Equipped with a release lever which locks in the clamped position only. A large handle pad with red vinyl dipping has been added for greater operator comfort. Supplied with 240208 spindle assembly and (2) 235106 washers.



52351
Model 235-UR
"U" Bar
Flanged Base



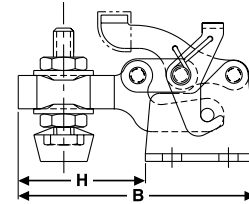
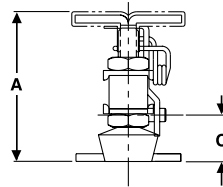
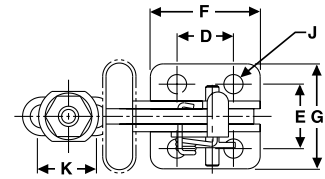
Model No.	EDP No.	Holding Capacity	Weight	Handle Moves	Bar Opens	Dimensions									
						A	B	C	D	E	F	G	H	J	K
235-UR	52351	750 lbs.	1.64 lbs.	55°	90°	2.50	10.50	1.75	1.63	1.63	2.25	2.25	4.32	.33	2.38

TOGGLE-LOCK PLUS™ CLAMPS



MODELS 305-UR, 307-UR, 309-UR (Available Jan. 2003)

DE-STA-CO introduces our newest family of Toggle-Lock Plus clamps. Featuring a compact locking release lever, which locks in the clamped position only. All models provided with red vinyl handle grip and flanged washers. Models 305-UR and 307-UR are supplied with neoprene-tipped spindle assemblies. Model 309-UR is provided with a hex-head spindle assembly and slip-on neoprene cap (235119). To order without a spindle, include a -LS suffix.



NEW

53051
Model 305-UR
"U" Bar
Flanged Base



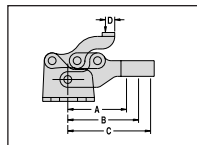
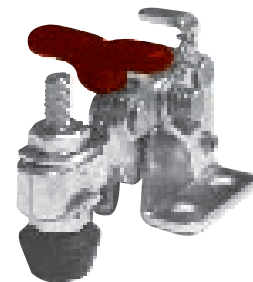
NEW

53071
Model 307-UR
"U" Bar
Flanged Base



NEW

53091
Model 309-UR
"U" Bar
Flanged Base



Model No.	Dim. (C to C, in Inches) Base Pivot to			Max. Mechanical Advantage (M.A.) at			Max. Holding Capacity (lbs.) at			Force Applied to Handle at D
	Spindle Loc. A	Spindle Loc. B	Spindle Loc. C	Spindle Loc. A	Spindle Loc. B	Spindle Loc. C	Spindle Loc. A	Spindle Loc. B	Spindle Loc. C	
305-UR	1.375	-	1.875	3:1	-	2:1	150	-	110	0.125
307-UR	1.875	2.188	2.5	3:1	2:5	2:1	350	300	260	0.188
309-UR	2.5	3.0	3.5	4:1	3:1	2:1	750	625	530	0.3125

Model No.	EDP No.	Holding Capacity	Weight	Handle Moves	Bar Opens	Flanged Washer	Spindle Assembly	Dimensions										
								A	B	C	D	E	F	G	H	J	K	L
305-UR	53051	150 lbs.	.13 lbs.	175°	92°	102111	201208	1.44	2.25	.50	.53	.63	1.03	1.00	1.22	.17	.50	1.12
307-UR	53071	350 lbs.	.54 lbs.	175°	92°	507107	225208	2.44	3.61	.88	.91	1.16	1.72	1.81	1.89	.28	.75	2.00
309-UR	53091	750 lbs.	1.30 lbs.	160°	88°	235105	309208	3.59	5.19	1.31	1.38	1.50	2.52	2.47	2.66	.33	1.06	3.59

TOGGLE-LOCK PLUS™ CLAMPS



MODEL 331-R

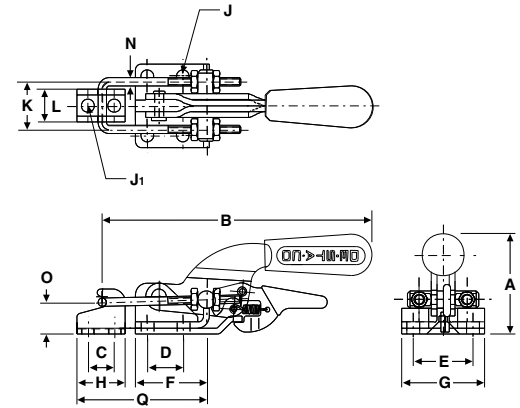
Supplied with a release lever catch accessory which allows the clamp to lock in the closed position only. Latch plate (331005) supplied with clamp. Equipped with an ergonomic handle grip.

ALSO AVAILABLE
In Stainless Steel Model 331-RSS Page 9.5



53311
Model 331-R

For added convenience and functionality, every DE-STA-CO pull action clamp is now equipped with a thumb control lever as a standard feature.



Optional Hook Configurations			
Add The Following Suffix To Model No.:			
Model No.	Suffix	Description	
xxx	-	M-25	For 25 mm longer hook
		M-50	For 50 mm longer hook
		M-100	For 100 mm longer hook

Model No.	EDP No.	Holding Capacity	Weight	Drawing Movement	Dimensions															
					A	B*	C	D	E	F	G	H	J	J ₁	K	L	N	O	Q Min	Q Max
331-R	53311	700 lbs.	.56 lbs.	1.75"	1.78	5.97	.56	.75	1.25	1.56	1.75	1.00	.27	.22	1.00	.69	.19	.66	2.56	3.15

*Minimum Dimension

MODEL 341-R

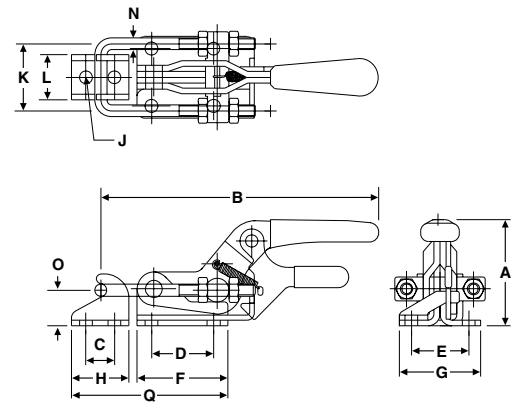
Similar to Model 331-R only with greater capacity. Release lever catch assembly allows the clamp to remain in the closed position. Latch plate (341005) supplied with clamp. Supplied with ergonomic handle grip.

ALSO AVAILABLE
In Stainless Steel Model 341-RSS Page 9.5



53411
Model 341-R

For added convenience and functionality, every DE-STA-CO pull action clamp is now equipped with a thumb control lever as a standard feature.



Optional Hook Configurations			
Add The Following Suffix To Model No.:			
Model No.	Suffix	Description	
xxx	-	M-25	For 25 mm longer hook
		M-50	For 50 mm longer hook
		M-100	For 100 mm longer hook

Model No.	EDP No.	Holding Capacity	Weight	Drawing Movement	Dimensions															
					A	B*	C	D	E	F	G	H	J	J ₁	K	L	N	O	Q Min	Q Max
341-R	53411	2000 lbs.	1.57 lbs.	2.50"	2.78	7.50	.75	1.63	1.50	2.38	2.13	1.50	.33	-	1.75	1.19	.31	.94	3.88	4.64

*Minimum Dimension

TOGGLE-LOCK PLUS™ CLAMPS



MODEL 351-R

Model 351-R is supplied with a release lever catch accessory which allows the clamp to lock in the closed position only. Large handle pad improves operability of the clamp. Handle is red vinyl-dipped. See page 4.11 for optional latch plates.

53511
Model 351-R



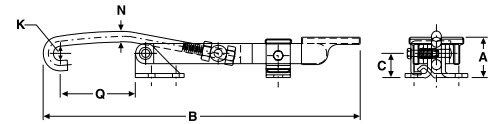
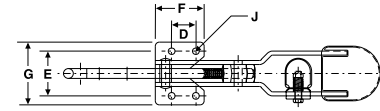
NEW

53513
Model 351000
Optional Latch Plate



For added convenience and functionality, every DE-STA-CO pull action clamp is now equipped with a thumb control lever as a standard feature.

Thumb Control Lever
Locknut



Optional Hook Configurations			
Add The Following Suffix To Model No.:			
Model No.	Suffix	Description	
xxx	-	M-25	For 25 mm longer hook
		M-50	For 50 mm longer hook
		M-100	For 100 mm longer hook

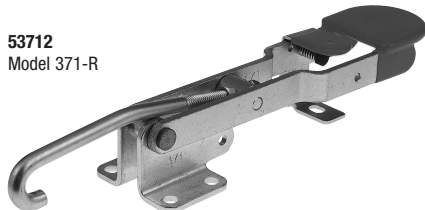
Model No.	EDP No.	Holding Capacity	Weight	Drawing Movement	Dimensions											
					A	B*	C	D	E	F	G	J	K	N	Q Min	Q Max
351-R	53511	375 lbs.	.84 lbs.	4.00"	1.44	9.69	.75	.75	1.38	1.50	1.94	.22	.44	.31	1.75	2.18

*Minimum Dimension

MODEL 371-R

Similar to Model 351-R. Supplied with red vinyl-dipped handle and release lever catch accessory which allows the clamp to stay locked in the closed position. See page 4.11 for optional latch plates.

53712
Model 371-R



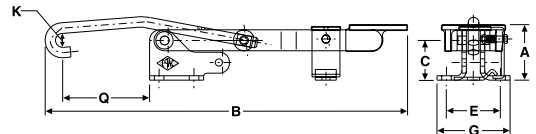
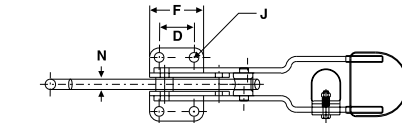
NEW

53713
Model 371000
Optional Latch Plate



For added convenience and functionality, every DE-STA-CO pull action clamp is now equipped with a thumb control lever as a standard feature.

Thumb Control Lever
Locknut



Optional Hook Configurations			
Add The Following Suffix To Model No.:			
Model No.	Suffix	Description	
xxx	-	M-25	For 25 mm longer hook
		M-50	For 50 mm longer hook
		M-100	For 100 mm longer hook

Model No.	EDP No.	Holding Capacity	Weight	Drawing Movement	Dimensions											
					A	B*	C	D	E	F	G	J	K	N	Q Min	Q Max
371-R	53712	750 lbs.	1.77 lbs.	5.38"	2.25	12.88	1.42	1.25	1.94	1.94	2.63	.34	.50	.39	2.02	2.83

*Minimum Dimension

TOGGLE-LOCK PLUS™ CLAMPS



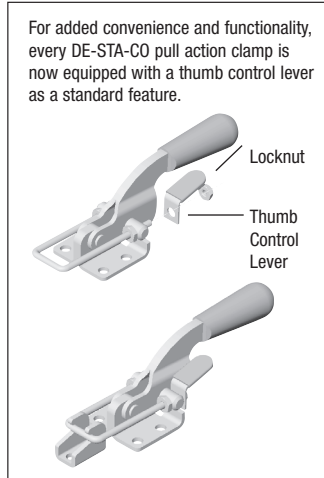
MODEL 375-R

This heavy-duty model is supplied with a release lever which locks into the forged steel base. Locks in the closed position only. Handles are red vinyl-dipped. Supplied with ergonomic handle grip.

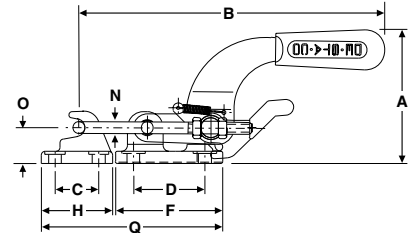
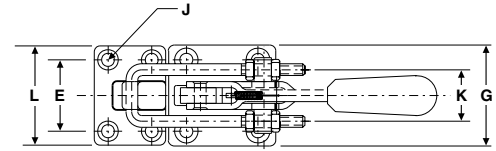


53852
Model 385102
Optional Latch Plate

53751
Model 375-R



For added convenience and functionality, every DE-STA-CO pull action clamp is now equipped with a thumb control lever as a standard feature.



Optional Hook Configurations			
Add The Following Suffix To Model No.:			
Model No.	Suffix	Description	
xxx	-	M-25	For 25 mm longer hook
		M-50	For 50 mm longer hook
		M-100	For 100 mm longer hook

Model No.	EDP No.	Holding Capacity	Weight	Drawing Movement	Dimensions														
					A	B*	C	D	E	F	G	H	J	K	L	N	O	Q Min	Q Max
375-R	53751	4000 lbs.	2.10 lbs.	3.50"	4.19	9.63	1.38	2.25	2.25	3.19	3.19	2.25	.41	1.63	3.13	.39	1.13	5.63	6.32

*Minimum Dimension

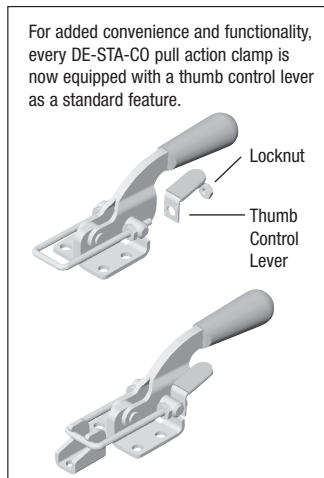
MODEL 385-R

Similar to Model 375-R but with higher holding capacity. Has release lever that also locks into the forged base. Locks in the closed position only.

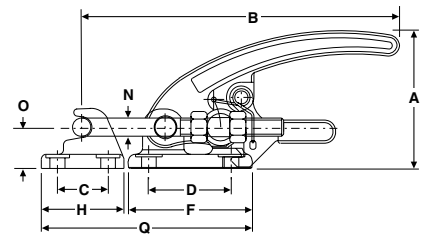
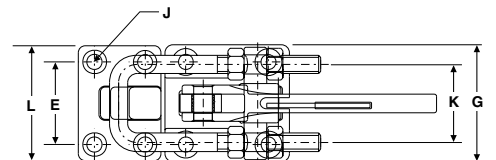


53852
Model 385102
Optional Latch Plate

53854
Model 385-R



For added convenience and functionality, every DE-STA-CO pull action clamp is now equipped with a thumb control lever as a standard feature.



Optional Hook Configurations			
Add The Following Suffix To Model No.:			
Model No.	Suffix	Description	
xxx	-	M-25	For 25 mm longer hook
		M-50	For 50 mm longer hook
		M-100	For 100 mm longer hook

Model No.	EDP No.	Holding Capacity	Weight	Drawing Movement	Dimensions														
					A	B*	C	D	E	F	G	H	J	K	L	N	O	Q Min	Q Max
385-R	53854	7500 lbs.	3.39 lbs.	1.13"	3.75	8.75	1.38	2.25	2.25	3.38	3.13	2.25	.41	2.13	3.13	.47	1.13	5.63	6.70

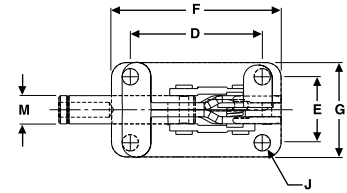
*Minimum Dimension

TOGGLE-LOCK PLUS™ CLAMPS

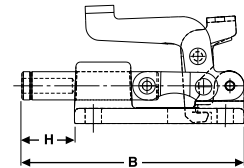
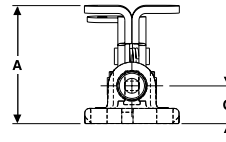


MODEL **6015-M-R** (Available Jan. 2003)

Model 6015-M-R is another new addition to our line of Toggle-Lock Plus clamps. Its compact size allows use in confined areas and on small fixtures where safety is a concern.

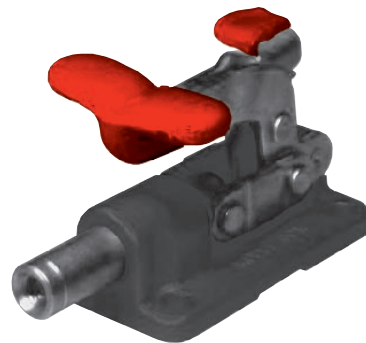


ALSO AVAILABLE
 In Stainless Steel Model 6015-M-R-SS Page 9.5



NEW

56014
 Model 6015-M-R



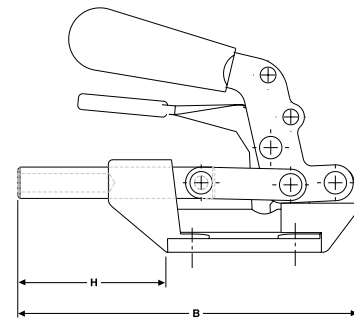
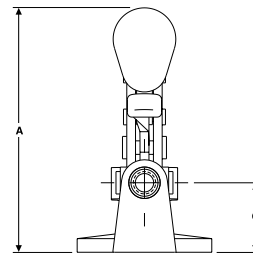
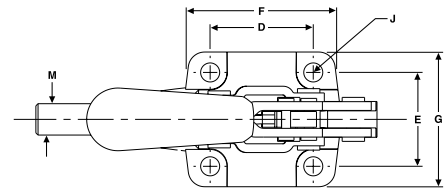
Model No.	EDP No.	Holding Capacity	Weight	Plunger Travel	Plunger Thread	Dimensions									
						A	B	C	D	E	F	G	H	J	M
6015-M-R	56014	350 lbs.	0.34 lbs.	.70"	M6 x 1.0	1.60	2.95	0.50	1.75	0.88	2.25	1.25	0.70	Ø0.22	Ø0.38

TOGGLE-LOCK PLUS™ CLAMPS



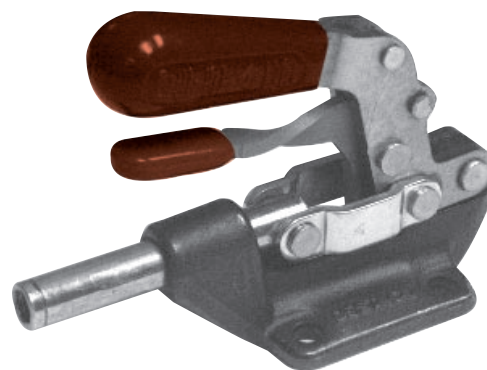
MODEL 603-R (Available Dec. 2002)

Patented design locks the release lever into the forged steel base to prevent accidental opening. The 603-R is well adapted for use in confined areas because of its small package size and low height. The ergonomic handle is slanted forward to provide an adequate grip and yet enhance the low silhouette. Clamp locks in both the extended and retracted positions while the release lever secures the clamp in the extended position only. Plunger is tapped for 5/16-18 adjustment spindle or detail.



NEW

56032
Model 603-R



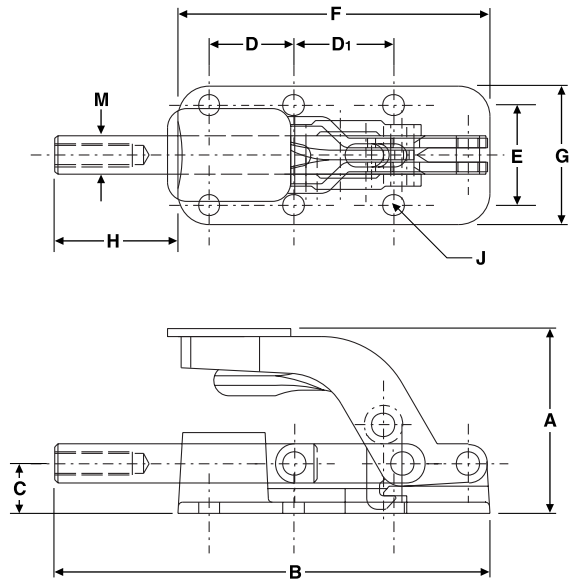
Model No.	EDP No.	Holding Capacity	Weight	Plunger Travel	Plunger Thread	Dimensions									
						A	B	C	D	E	F	G	H	J	M
603-R	56032	600 lbs.	.83 lbs.	.125"	5/16-18	3.42	4.69	.97	1.44	1.31	2.00	1.86	2.16	.27	.44

TOGGLE-LOCK PLUS™ CLAMPS



MODEL 630-R

Includes a locking release lever, which locks into the rugged forged steel base. Handle pad is larger for greater operator comfort. Accommodates any 3/8-16 spindle assembly. Supplied with red vinyl-dipped handles. See pages 12.1-12.5 for accessories.



56301
Model 630-R



Model No.	EDP No.	Holding Capacity	Weight	Plunger Travel	Plunger Thread	Dimensions										
						A	B	C	D	D ₁	E	F	G	H	J	M
630-R	56301	2500 lbs.	2.33 lbs.	2.00"	3/8-16	3.00	7.06	.81	1.38	1.63	1.63	5.06	2.25	2.00	.34	.63