

## STA-GRIP™ PLIER ACTION CLAMPS

## SECTION 5

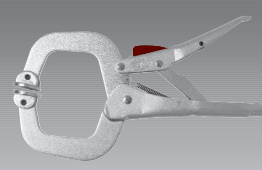
**STA-Grip™ Clamps** – These clamps are ideal in a variety of workholding challenges – from the most delicate wood-working operation to the harshest welding environment. The line includes five carbon steel models of plier clamps, plus an easy-to-use height adapter. Three models also are available in a non-magnetic stainless steel option. In addition to these standard models, modifications are available upon request.

The models range in holding capacity from 225 to 675 pounds of clamp pressure. Moveable pressure pads that conform automatically to the shape of the workpiece distribute pressure evenly and protect vulnerable surfaces. Their unique design is ideal for compact work areas, or for those applications when a tool needs longer reach.



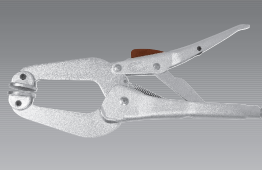
NOTE: Engineering dimensions and specifications in this catalog are subject to change without notice.

**NEW**



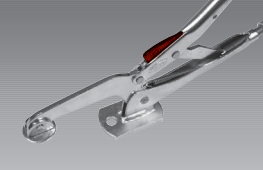
Model No.	Holding Capacity	Jaw Capacity	Page No.
21007	562 lbs.	3.15"	5.4
21107	562 lbs.	3.15"	5.4

**NEW**




Model No.	Holding Capacity	Jaw Capacity	Page No.
21014	562 lbs.	3.15"	5.4
21114	562 lbs.	3.15"	5.4

**NEW**



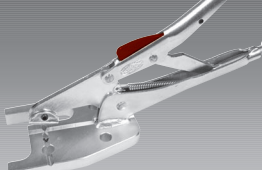
Model No.	Holding Capacity	Jaw Capacity	Page No.
21013	562 lbs.	2.95"	5.5
21113	562 lbs.	2.95"	5.5

**NEW**



Model No.	Holding Capacity	Jaw Capacity	Page No.
21132	225 lbs.	4.75"	5.5

**NEW**



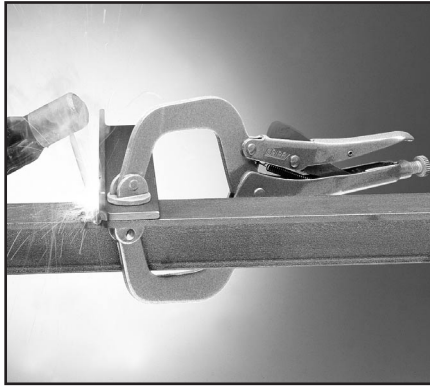
Model No.	Holding Capacity	Jaw Capacity	Page No.
21030	675 lbs.	1.26"	5.6

# STA-GRIP™ PLIER ACTION CLAMPS



**DE-STA-CO**  
Industrial Products Group

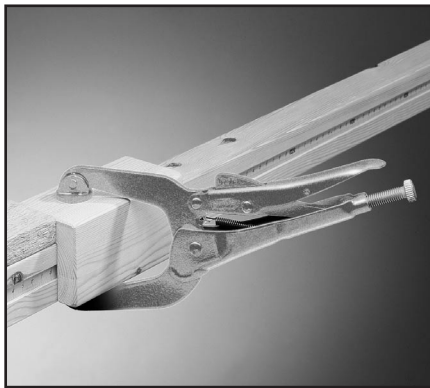
Model 21007 clamping two pieces of angle iron during a welding application.



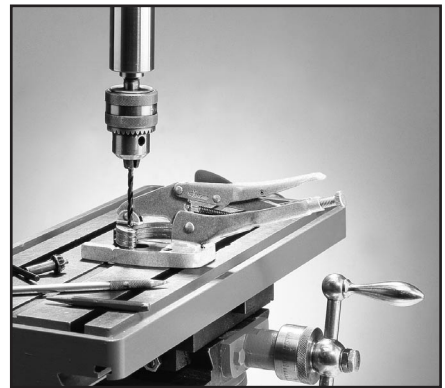
Models 21030 are used as holding devices for a band saw jig.



Model 21007 clamping together rail segments in an assembly operation.



Model 21030 mounted in a T-Slot on a machine bed and holding multiple parts.



Two Model 21007 clamps holding a shelving unit together during mounting.



Models 21113 holding a work-piece on a T-Slot table during a drilling operation.



Model 21013 mounted on a router table in a woodworking application.



Model 21132 modified with a special clamp foot to hold sheet metal panels together.



# STA-GRIP™ PLIER ACTION CLAMPS C-STYLE

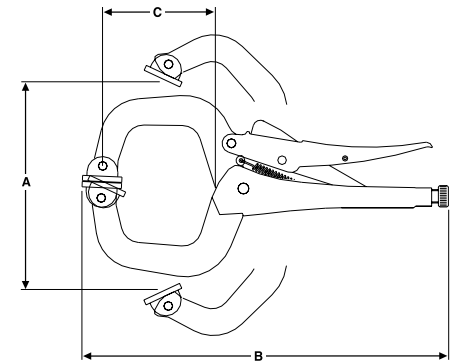
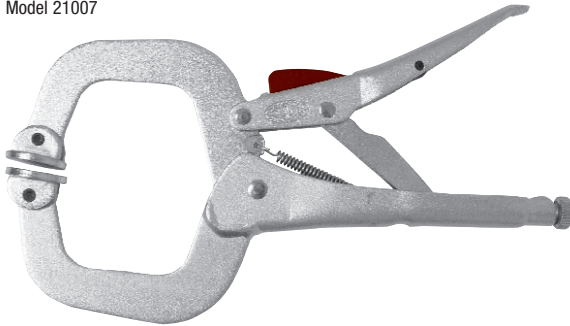


## MODELS 21007, 21107

Models 21007 and 21107 feature wide arms that reach over or around most obstructions. Moveable pressure pads conform to the shape of the workpiece and distribute pressure evenly for a dependable, no-slip grip. Suitable for harsh welding or more delicate woodworking environments. Carbon steel and non-magnetic stainless steel models available.

**NEW**

**21007**  
Model 21007



**NEW**

**21107**  
Model 21107  
Stainless Steel



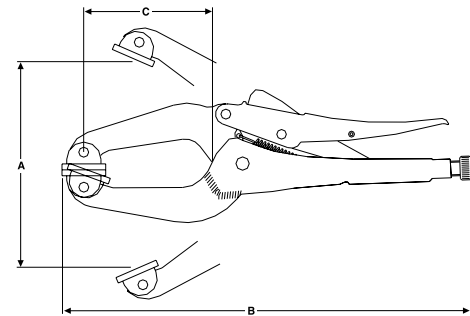
Model No.	EDP No.	Holding Capacity	Weight	Dimensions		
				A	B	C
21007	21007	562 lbs.	1.60 lbs.	3.15	11.02	3.15
21107	21107	562 lbs.	1.60 lbs.	3.15	11.02	3.15

## MODELS 21014, 21114

Models 21014 and 21114 function much like Models 21007 and 21107 in harsh welding or delicate woodworking environments, but have a slim, compact design for easy reach into tight corners or small work areas. Carbon steel and non-magnetic stainless steel models available.

**NEW**

**21014**  
Model 21014



**NEW**

**21114**  
Model 21114  
Stainless Steel



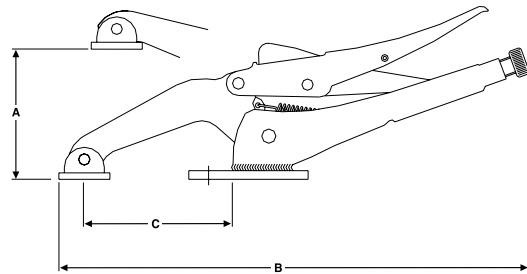
Model No.	EDP No.	Holding Capacity	Weight	Dimensions		
				A	B	C
21014	21014	562 lbs.	1.41 lbs.	3.15	11.02	3.35
21114	21114	562 lbs.	1.41 lbs.	3.15	11.02	3.35

# STA-GRIP™ PLIER ACTION CLAMPS T-STYLE



## MODELS 21013, 21113

These slot clamps are ideal for bench work or a machine bed, using a single T-nut and bolt. The clamp holds the workpiece against the bench and takes up very little space. Pressure pads can be added when working with vulnerable surfaces. This is an excellent clamp for drilling, fitting or gluing applications. It can also be used for applications involving milling or molding templates. Carbon steel and non-magnetic stainless steel models available.



**21013**  
Model 21013

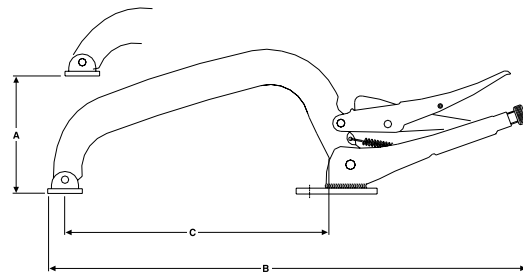


**21113**  
Model 21113  
Stainless Steel

Model No.	EDP No.	Holding Capacity	Weight	Dimensions		
				A	B	C
21013	21013	562 lbs.	1.41 lbs.	2.95	11.02	2.36
21113	21113	562 lbs.	1.41 lbs.	2.95	11.02	2.36

## MODELS 21132

Model 21132 reaches deep inside the workpiece, when a workbench or a machine bed application requires a tool with extended reach. Unique thumb release latch allows for one-handed operation in drilling, gluing, welding or assembly fixtures.



**21132**  
Model 21132

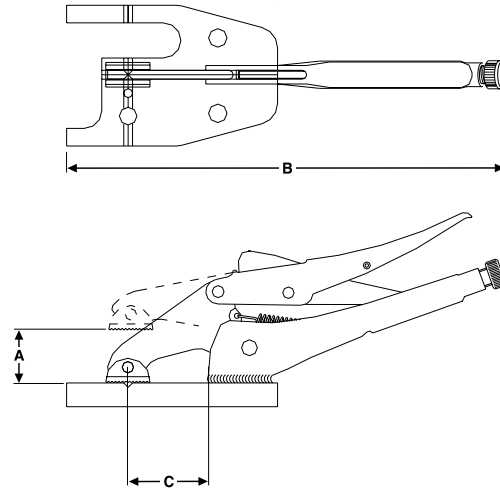
Model No.	EDP No.	Holding Capacity	Weight	Dimensions		
				A	B	C
21132	21132	225 lbs.	2.03 lbs.	4.75	16.10	7.68

# STA-GRIP™ PLIER ACTION CLAMPS V-FOOT STYLE



## MODEL 21030

Model 21030 is designed specifically for use with drills. The clamp is mounted to a broad, stable base plate for greater handle control and safety during drilling. Cylindrical objects can be held securely in the V-groove. Flat, irregularly shaped objects or several objects can be held in place at the same time. Sheet metal components can be clamped in such a way that the workpiece is supported on both sides of the slot, allowing drilling without risk of bending.



Model No.	EDP No.	Holding Capacity	Weight	Dimensions		
				A	B	C
21030	21030	674.50 lbs.	2.50 lbs.	1.26	10.20	1.77

### OPTIONAL BASE

Model 21130 is an optional attachment for T-Slot clamp Models 21013, 21113 and 21132 for applications when extra clamping height is required. Mounting is quick and easy, by simply pushing the T-Slot clamp's footplate into one of the grooves inside the base.

