



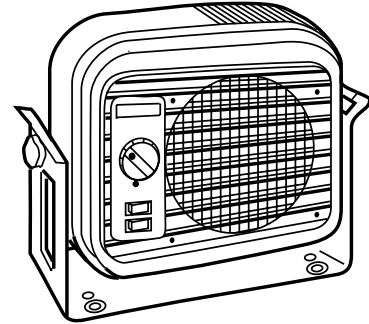
Marley
Engineered Products

Owner's Manual
Model No. **MUH-35A**

Unit Heater
Fan-Forced - Built-in Thermostat

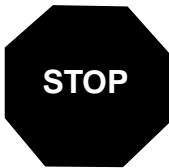
SPECIFICATIONS		
Heater Voltage: 240/208 VAC		
KW Ratings:		Amps
@ 240 V	5.0KW High	21
	3.3KW Low	14
@208 V	3.7KW High	18
	205KW Low	12
Dimensions:	14"H x 16"W x 8"D	
Weight:	22 lbs.	

Unit supplied with built-in thermostat, heat and fan selector switches, and wall/ceiling mounting bracket.



FEATURES:

- Built-in Thermostat
- Heat Selector Switch
- Fan Selector Switch
- Automatic Thermal Limit
- Universal Mounting Bracket



IMPORTANT INSTRUCTIONS

READ ALL INSTRUCTIONS BEFORE USING THIS HEATER. Failure to understand and follow these instructions and the "CAUTION" and "WARNING" notes may result in serious personal injury or property damage from electrical shock, fire, or from the heater falling due to faulty installation.

CAUTION - SHOCK HAZARDS

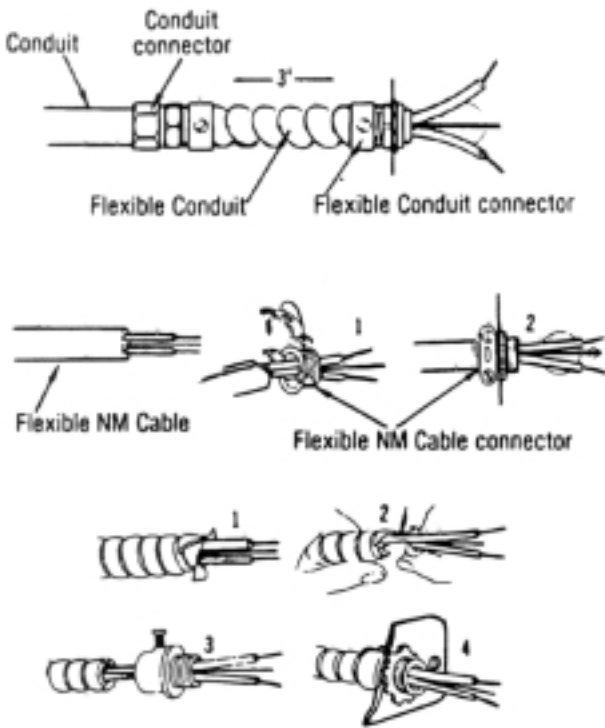
1. USE MINIMUM 60 DEGREE C. COPPER WIRE ONLY.
2. OBSERVE WALL, FLOOR, AND CEILING CLEARANCE REQUIREMENTS (PAGE 2).
3. ALL WIRING MUST CONFORM TO NATIONAL AND LOCAL ELECTRICAL CODES AND THE HEATER MUST BE GROUNDED AS A PRECAUTION AGAINST POSSIBLE ELECTRICAL SHOCK.
4. ALL ELECTRICAL POWER MUST BE DISCONNECTED AT THE MAIN SERVICE BOX BEFORE INSTALLING, INSPECTING, CLEANING, OR SERVICING THE HEATER. THIS IS A PRECAUTION TO PREVENT SERIOUS ELECTRICAL SHOCK.

CAUTION - FIRE HAZARDS

1. TO PREVENT A POSSIBLE FIRE, DO NOT BLOCK AIR INTAKES OR EXHAUST IN ANY MANNER.
2. HEATER AIR FLOW MUST BE DIRECTED PARALLEL TO OR AWAY FROM ADJACENT WALLS.
3. A HEATER HAS HOT AND ARCING OR SPARKING PARTS INSIDE. DO NOT USE IT IN AREAS WHERE GASOLINE, PAINT, OR FLAMMABLE LIQUIDS ARE USED OR STORED.

CAUTION - FALLING HAZARD

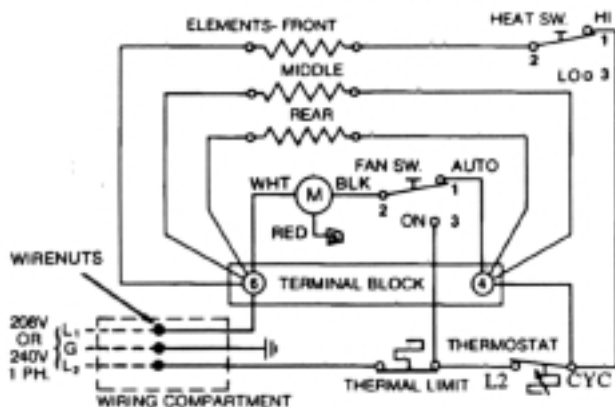
WHEN HEATER IS TO BE WALL OR CEILING MOUNTED, THE ANCHORING PROVISIONS MUST BE OF SUFFICIENT STRENGTH TO SUPPORT THE TOTAL WEIGHT OF THE HEATER PLUS THE WEIGHT OF THE MOUNTING PROVISIONS. FAILURE TO PROPERLY SECURE THE HEATER TO THE SUPPORTING MEMBERS OF THE BUILDING STRUCTURE COULD ALLOW THE HEATER TO FALL.



Connectors, cable, and hardware used to wire the MUH-35.

Loosen the two screws that secure the wiring compartment cover to the upper right hand area of the back of the heater and remove the cover. Attach the cable connector to the cover as shown above, and slide the 10 gauge wire through the cable connector. Pull enough of the wire through the connector so you will have enough wire to work with when you make the connections. Connect the field wiring to the heater wiring as shown in the wiring diagram below. After connecting the wiring replace the wiring compartment cover making sure none of the wires are pinched between the cover and the heater. Tighten the screws securely.

WIRING DIAGRAM



HEATING OPERATION

To operate the heater, first select either high or low position on the Heat Selector Switch, then turn the Thermostat Knob as far as it will go in the clockwise direction. When the room temperature reaches the desired level, slowly turn the thermostat knob counterclockwise until the thermostat clicks, the heater will then automatically cycle off and on as needed. To shut heater "off", turn thermostat knob as far as it will go in the counterclockwise direction.

The Fan Selector Switch allows continuous or cycling fan operation by selecting either the "ON" or "AUTO" position, respectively.

The MUH-35 mounting system simplifies both installation and air flow control. The mounting bracket attaches to the ceiling with a single bolt and allows you to turn the entire heater in a full circle. The mounting bolts on the sides of the heater permit you to adjust the air flow direction to any angle between horizontal and vertical.

CLEANING

Turn thermostat off, then disconnect electrical power before cleaning heater. Use a soft cloth for dusting. For cleaning use only a damp rag and non-abrasive dish detergent. Do not use abrasive or chemical cleaners, as these may harm the finish.

If heater is used in a very dusty location, use a vacuum cleaner dust brush to remove dust and other foreign materials from the grilles.

SERVICE

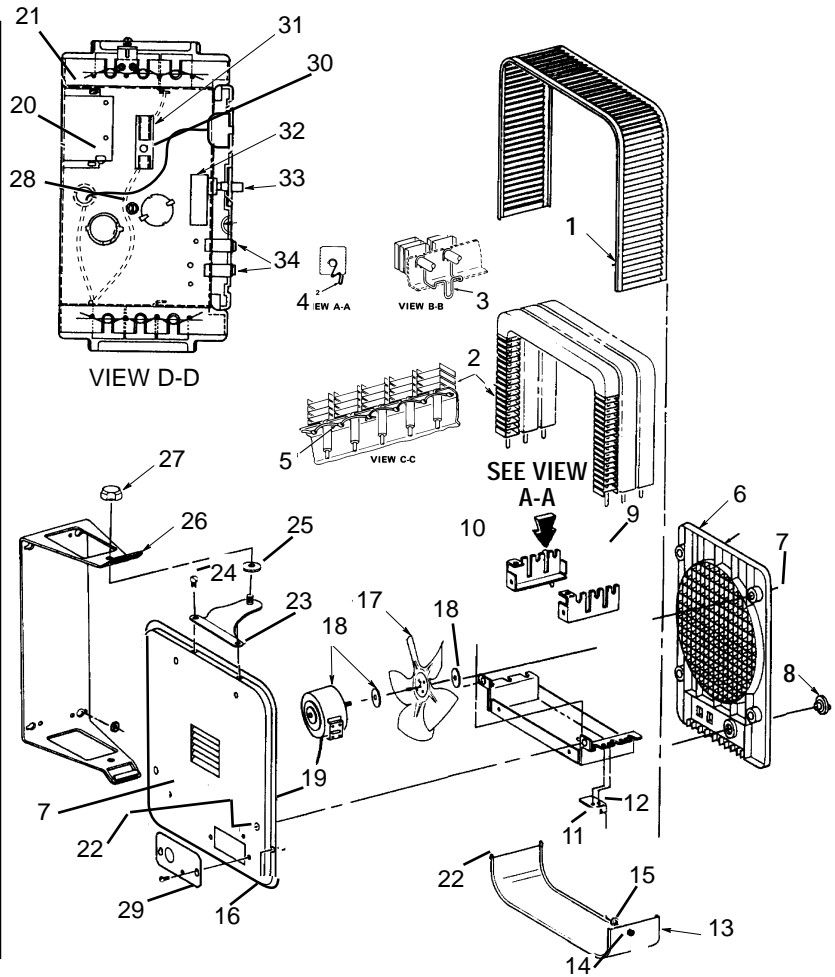
This heater does not require any routine maintenance. The motor is permanently lubricated.

Do not operate the heater if the heater should malfunction or if it has been damaged in any manner. Return heater to authorized service facility for examination, electrical or mechanical adjustment, or repair.

Call toll-free number listed for assistance in locating the Marley authorized service center in your area.

RENEWAL PARTS IDENTIFICATION

Ref.No.	Description	Part Number
1	Guard, Assembly	2504-00011-005
2	Element Assembly	1802-0087-0032
3	Spring, Element	5208-0073-000
4	Spring, Capillary Tube	5208-0072-000
5	Spring, Element Retainer	5208-0074-000
6	Grille	2501-2014-000
7	Screw, #8 x 3/8", Pan Hd. Ser. Type B	5202-2001-000
8	Knob, Thermostat	3301-2012-000
9	Case, Front	1425-2002-002
10	Protector, Linear Limit	4520-0011-000
11	Screw, #8 x 3/8", Type B	21416-08128
12	Bracket, Captive Screw	1215-0291-000
13	Cover	1402-0336-001
14	Screw, #6-20 x 3/4", Rd.Hd., Type B	5202-0312-205
15	Nut, Speed	4100-7036-026
16	Screw, #8-18 x 1/4", Rd.Hd., Type B	5202-0312-016
17	Blade, Fan	1210-2000-000
18	Motor Subassembly	3900-2002-006
19	Case, Back	1425-2005-001
20	Bushing, Strain Relief	1213-7010-008
21	Wiring Compartment Divider	1614-2000-000
22	Screw, #6-20 x 3/8", Rd.Hd., Type B	5202-7031-037
23	Bracket Assembly, Mounting	1215-2000-001
24	Screw, 5/16-18 x 1/2", Pan Hd.	5202-2000-000
25	Washer, Rubber	W10814895A000
26	Mounting Bracket	5210-2000-003
27	Knob	K20814677B000
28	Screw, Ground	5202-5145-000
29	Wiring Cover Plate	4503-2010-004
30	Screw, #6-32 x 1/2", Phil.Rd.Hd.	5202-7038-036
31	Block, Terminal	5823-0003-001
32	Thermostat	5813-2018-000
33	Screw, #8 x 3/8", Type B	21416-08128
34	Switch, Rocker	S99814893A000



LIMITED WARRANTY

All products covered by this instruction sheet are warranted against defects in workmanship and materials for one year from date of purchase, except heating elements which are warranted against defects in workmanship and materials for five years from date of installation. This warranty does not apply to damage from accident, misuse, or alteration; nor where the connected voltage is more than 5% above the nameplate voltage; nor to equipment improperly installed or wired or maintained in violation of this instruction sheet. All claims for warranty work must be accompanied by proof of the date of purchase.

The customer shall be responsible for all costs incurred in the removal or reinstallation of products, including labor costs, and shipping costs incurred to return products to a Marley Engineered Products Service Center. Within the limitations of this warranty, inoperative units should be returned to the nearest Marley authorized service center or the Marley Engineered Products Service Center, and we will repair or replace, at our option, at no charge to you with return freight paid by Marley. It is agreed that such repair or replacement is the exclusive remedy available from Marley Engineered Products.

THE ABOVE WARRANTIES ARE IN LIEU OF ALL OTHER WARRANTIES EXPRESSED OR IMPLIED, AND ALL IMPLIED WARRANTIES OF MERCHANTABILITY AND FITNESS FOR A PARTICULAR PURPOSE WHICH EXCEED THE AFORESAID EXPRESSED WARRANTIES ARE HEREBY DISCLAIMED AND EXCLUDED FROM THIS AGREEMENT, MARLEY ENGINEERED PRODUCTS SHALL NOT BE LIABLE FOR CONSEQUENTIAL DAMAGES ARISING WITH RESPECT TO THE PRODUCT, WHETHER BASED UPON NEGLIGENCE, TORT, STRICT LIABILITY, OR CONTRACT.

Some states do not allow the exclusion or limitation of incidental or consequential damages, so the above exclusion or limitation may not apply to you. This warranty gives you specific legal rights, and you may also have other rights which vary from state to state.

For the address of your nearest authorized service center, contact Marley Engineered Products, 470 Beauty Spot Road East, Bennettsville, SC 29512. Merchandise returned to the factory must be accompanied by a return authorization and service identification tag, both available from the above location. When requesting return authorization, include all catalog numbers shown on the products.

HOW TO ORDER REPAIR PARTS

When ordering repair parts, always give the following information as shown in this list:

1. The Part Number
2. The Model Number
3. The Part Description

All parts listed herein may be ordered from:

Marley Engineered Products
470 Beauty Spot Road East
Bennettsville, SC 29512

Need technical or warranty assistance? Please call toll-free 1-800-642-HEAT.



SPX Corporation
470 Beauty Spot Rd. East
Bennettsville, SC 29512 USA