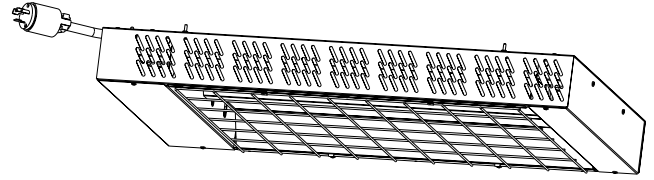




Marley
Engineered Products



File #E21609
(Ceiling Mounted Only)

RADIANT PLUG-IN HEATERS

MODEL NO.	VOLTS	WATTS	AMPS	BTU/HR
RR22012	120	2000	16.7	6825
RR35724	240	5700	23.8	19450

Installation & Maintenance Instructions

Dear Owner,

Congratulations! Thank you for purchasing this new heater manufactured by a division of Marley Engineered Products. You have made a wise investment selecting the highest quality product in the heating industry. Please carefully read the installation and maintenance instructions shown in this manual. You should enjoy years of efficient heating comfort with this product from Marley Engineered Products... the industry's leader in design, manufacturing, quality and service.

... The Employees of Marley Engineered Products



WARNING



Read Carefully - This instruction sheet contains vital information for the proper installation, use, and efficient operation of the heater described. Carefully read this manual before installation, cleaning, or operation of the heater. Failure to adhere to the instructions could result in fire, electrical shock, death, serious personal injury, or property damage. Save these instructions and review frequently for continuing safe operation and instructing future users.

CAUTION - TO REDUCE RISK OF FIRE AND ELECTRIC SHOCK:

1. Disconnect all power coming to heater at main service panel before wiring, installing elements, servicing, or disassembling heater.
2. All wiring must be in accordance with the National and Local Electrical Codes and the heater must be grounded as a precaution against possible electrical shock.
3. This heater is a major electrical appliance and requires adequate electrical power for safe use. The outlet to which the heater is connected must match the ratings printed on the heater nameplate. The AC circuit must be in accordance with the National and Local Electrical Codes. No other major electrical appliance should be operated on the same circuit as the heater.
4. Plug heater power cord directly into the electrical outlet. **Never** use an extension cord with this heater.
5. Do not allow power cord to touch any heater surface during use.
6. Minimum clearances, as specified, must be maintained. Keep combustible material, such as boxes, crates, etc., away from heater.
7. This heater is not suitable for use in hazardous locations as described by the NFPA. Do not use in areas where paint, gasoline, or other flammable liquids are used or stored.
8. The mounting structure and anchoring hardware must be capable of reliably supporting the total weight of the heater and all accessories used.
9. This heater is intended for ceiling mounting or cart mounting. Elements must be horizontal. **Note:** UL listing applies to ceiling hung only, does not cover cart mounted heaters.
10. This heater is intended for indoor use only.

SAVE THESE INSTRUCTIONS

General

These heaters are designed for indoor chain mounting or cart mounting. Not for recess installation. Elements may be installed prior to mounting unit.

DO NOT USE IN OUTDOOR LOCATIONS

Mounting Limitation- (Suspension Mount) Observe all minimum dimensions from ceiling, walls, floor and combustible material.

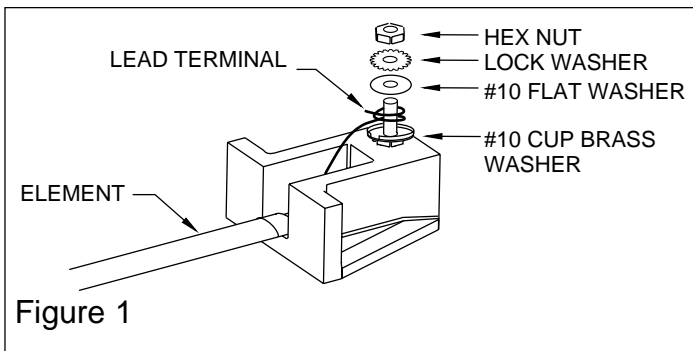
Maintain minimum clearances of:

- 24" (610mm) to vertical wall surfaces
- 24" (610mm) to ceiling
- 72" (1829mm) to floor

When heater is mounted the minimum distance to the wall, do not angle the heater toward the wall.

Installation of Quartz Tube Elements

1. Remove terminal cover at each end of fixture and wire guard to gain access to terminal blocks.
2. Remove element from wrapping.
NOTE: Do not handle quartz element with bare hands, or with gloves or rags that may have grease on them.
3. Remove #10 hex nut, lockwasher and flat washer from terminal stud. Insert element ring terminal to terminal stud on top of cup washer (brass). Replace flat washer, lockwasher and hex nut. Tighten nut. Refer to figure 1.
4. Replace terminal covers and wire guard.

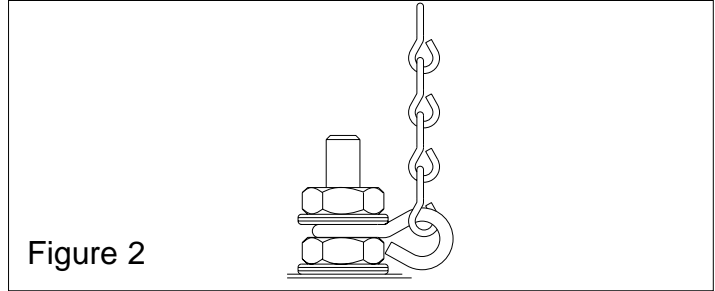


Chain Mounting (Indoor Only)

1. Attach "S" hook to both ends of each chain.
2. Attach chain links to ceiling accordingly, to achieve desired mounting height.
3. Attach "S" hook to 4 bolts protruding from back of heater. Secure hooks with washer and nut as shown in Figure 2.
4. Plug heater power supply cord into 120 volt 3 wire outlet for Model RR22012. Plug heater power supply cord into 240 volt 3 wire outlet for Model RR35724. The power cord is equipped with a 3 wire grounded plug and must be inserted into a matching receptacle. (see

warnings 1,2,3,&4)

5. Place both ON-OFF switches in ON position for maximum wattage. For reduced wattage, turn one ON-OFF switch to the OFF position.



Cart Mounting

NOTE: UL Listing does not cover cart mounting of heater.

1. Mount the upper cross bar to the cart at approximately 42" from the floor. Attach one clamping bracket to the cross bar by inserting the "T-hinge" into the slot on the cross bar and rotating the clamping bracket 90°. Secure the bracket using the bolt, washer and nut provided. See Figure 3. Check that the cross bar is centered on the cart and install the second clamping bracket to the other side such that the cross bar is level.
2. Locate the lower cross bar about 9" below the top cross bar for the two element heater (allow 16" for the four element heater). Clamp it to the cart using the same procedure as in step 1 above. Just hand tighten the nuts to the mounting bolts such that the cross bar is loose enough for aligning adjustments in step 4 below.
3. Mount the heater to the upper cross bar using two of the four bolts on the heater housing. The heater must be mounted and operated horizontally to ensure proper operation of the infrared elements. Operating the heater with the elements vertical will cause premature failure of the elements.
4. Mount the heater to the lower cross bar by using the remaining two bolts mounted on the heater housing. It may be necessary to reposition the lower cross bar to align the holes.



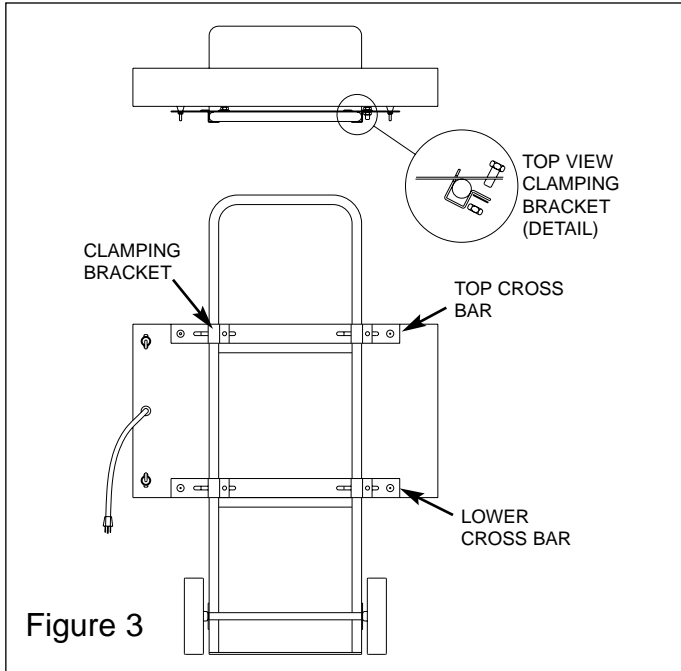
Minimum clearances, as specified, must be maintained. Keep combustible material, such as boxes crates, etc., away from heater.

5. Tighten the two lower clamping brackets fully and check that all fasteners are tight.

Mounting Limitation-(Cart Mount) Observe all minimum dimensions from ceiling, walls, floor and combustible material.

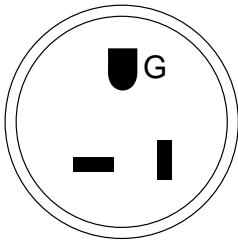
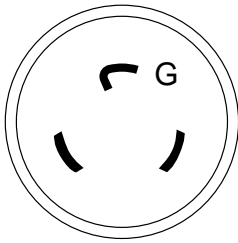
Maintain minimum clearances of:

- 24" (610mm) floor, sides, and back.
- 72" (1829mm) front



⚠ WARNING ⚠

VERIFY THE POWER SUPPLY VOLTAGE COMING INTO THE HEATER MATCHES THE RATING PRINTED ON THE HEATER NAMEPLATE BEFORE ENERGIZING.

<p>RR22012</p>  <p>PLUG-TYPE 20 AMPERES 125 VOLTS NEMA 5-20P</p>	<p>RR35724</p>  <p>PLUG-TYPE 30 AMPERES 250 VOLTS NEMA L6-30P</p>
--	--

Model No.	Volts	Watts	Amps	Element Qty.	Dimensions			Weight lb. (kg)
					Height in. (mm)	Width in. (mm)	Length	
RR22012A	120	2000	16.7	2	3.75 (96)	11 (280)	25 (637)	12
RR35724A	240	5700	23.8	4	3.75 (96)	19 (484)	34 (866)	22

LIMITED WARRANTY

All products manufactured by Marley Engineered Products are warranted against defects in workmanship and materials for one year from date of installation, except heating elements which are warranted against defects in workmanship and materials for five years from date of installation. This warranty does not apply to damage from accident, misuse, or alteration; nor where the connected voltage is more than 5% above the nameplate voltage; nor to equipment improperly installed or wired or maintained in violation of the product's installation instructions. All claims for warranty work must be accompanied by proof of the date of installation.

The customer shall be responsible for all costs incurred in the removal or reinstallation of products, including labor costs, and shipping costs incurred to return products to Marley Engineered Products Service Center. Within the limitations of this warranty, inoperative units should be returned to the nearest Marley authorized service center or the Marley Engineered Products Service Center, and we will repair or replace, at our option, at no charge to you with return freight paid by Marley. It is agreed that such repair or replacement is the exclusive remedy available from Marley Engineered Products.

THE ABOVE WARRANTIES ARE IN LIEU OF ALL OTHER WARRANTIES EXPRESSED OR IMPLIED, AND ALL IMPLIED WARRANTIES OF MERCHANTABILITY AND FITNESS FOR A PARTICULAR PURPOSE WHICH EXCEED THE AFORESAID EXPRESSED WARRANTIES ARE HEREBY DISCLAIMED AND EXCLUDED FROM THIS AGREEMENT. MARLEY ELECTRIC HEATING SHALL NOT BE LIABLE FOR CONSEQUENTIAL DAMAGES ARISING WITH RESPECT TO THE PRODUCT, WHETHER BASED UPON NEGLIGENCE, TORT, STRICT LIABILITY, OR CONTRACT.

Some states do not allow the exclusion or limitation of incidental or consequential damages, so the above exclusion or limitation may not apply to you. This warranty gives you specific legal rights, and you may also have other rights which vary from state to state.

For the address of your nearest authorized service center, contact Marley Engineered Products in Bennettsville, SC, at 1-800-642-4328. Merchandise returned to the factory must be accompanied by a return authorization and service identification tag, both available from Marley Engineered Products. When requesting return authorization, include all catalog numbers shown on the products.

HOW TO ORDER REPAIR PARTS

In order to obtain any needed repair or replacement parts, warranty service or technical information, please contact Marley Engineered Products Service Center toll-free by calling 1-800-642-HEAT.

When ordering repair parts, always give the information listed as follows:

1. The Part Number
2. The Model Number
3. The Part Description
4. Date of Manufacture



Marley
Engineered Products

SPX Corporation
470 Beauty Spot Rd. East
Bennettsville, SC 29512 USA

ECR 34942

3/02

Part No. 5200-2487-001