

BRH SERIES CONTRACTOR AIR HEATERS

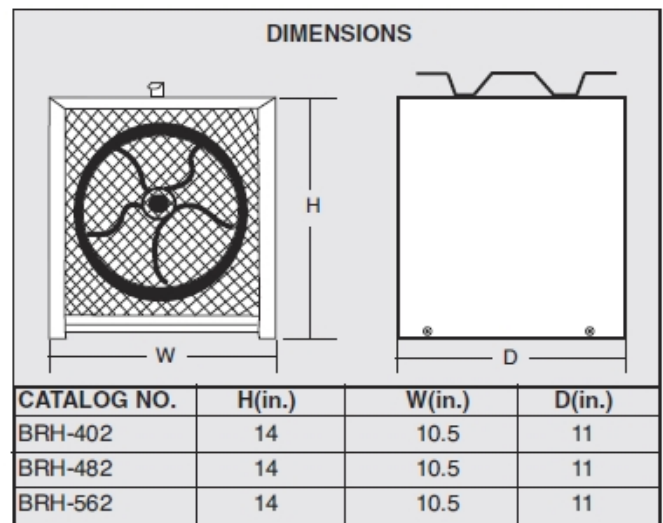
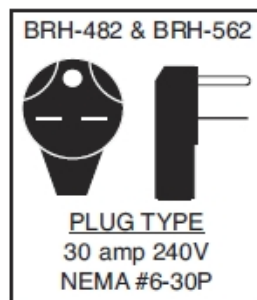
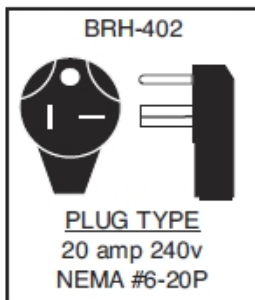
- BUILT-IN THERMOSTAT
- BUILT-IN HANDLE / CORD STORAGE
- SAFETY HIGH TEMPERATURE LIMIT
- 6' HEAVY DUTY CORD WITH PLUG



For construction job sites, commercial workshops and other large unheated areas.

- Industrial, finger proof, steel intake and discharge grilles.
- Red Finish.
- Steel spiral fin brazed to metal sheathed element for maximum heat transfer.

- Quiet.
- Permanently lubricated motor.



SELECTION CHART

CATALOG NO.	UPC.	VOLTS	PH	WATTS	BTU/HR	AMPS	PLUG TYPE	WT(LBS.)
BRH-402	0 98319 86200 6	240/208	1	4000/3000	13,650/10,238	16.7/14.4	#6-20P	17
BRH-482	0 98319 86202 0	240/208	1	4800/3600	16,380/12,285	20.0/17.3	#6-30P	17
BRH-562	0 98319 86201 3	240/208	1	5600/4200	19,110/14,333	23.3/20.2	#6-30P	19